

Part Number:	PCR96-AB-C
Description:	0.2ml 96-well PCR Plate, Clear

Composition

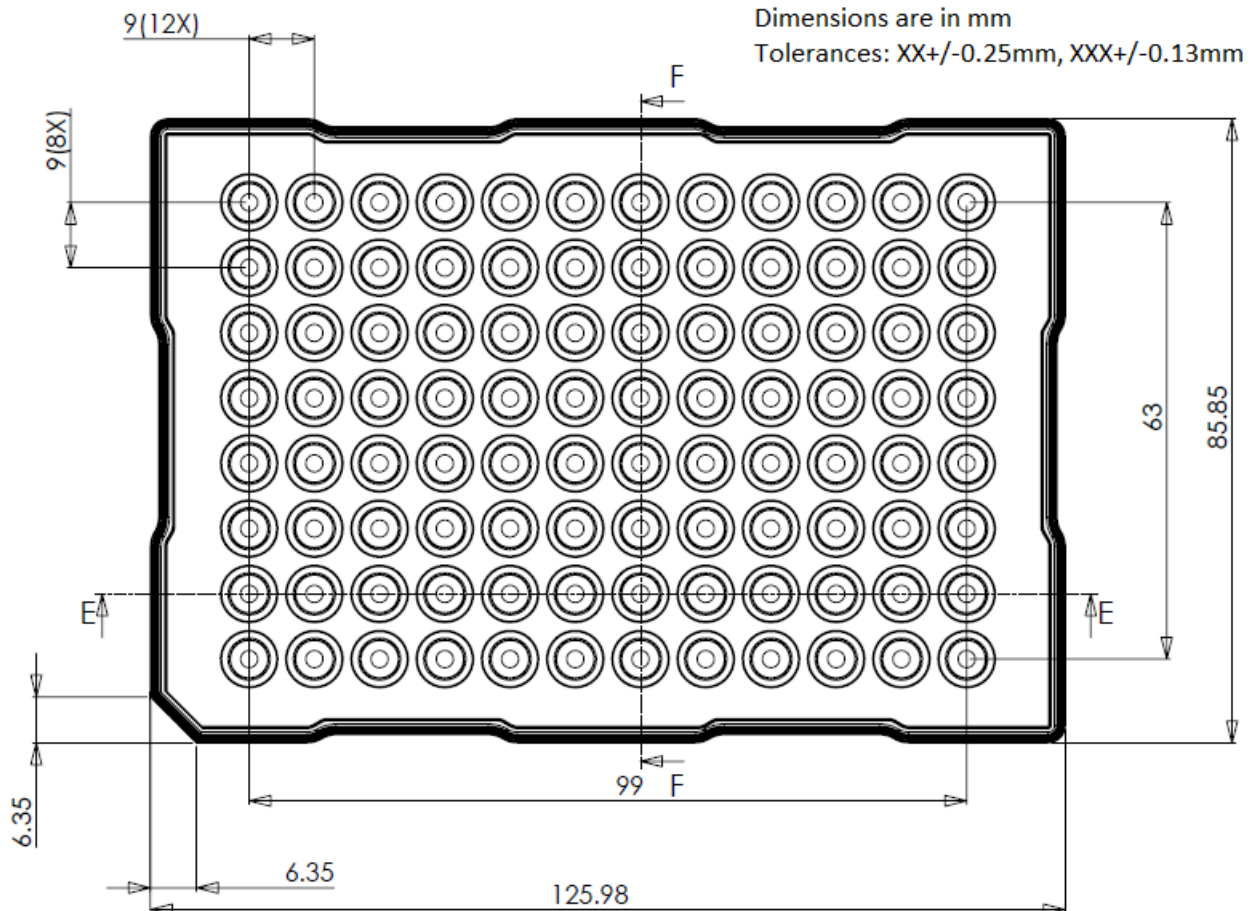
Color	Clear
Material	Medical-grade polypropylene

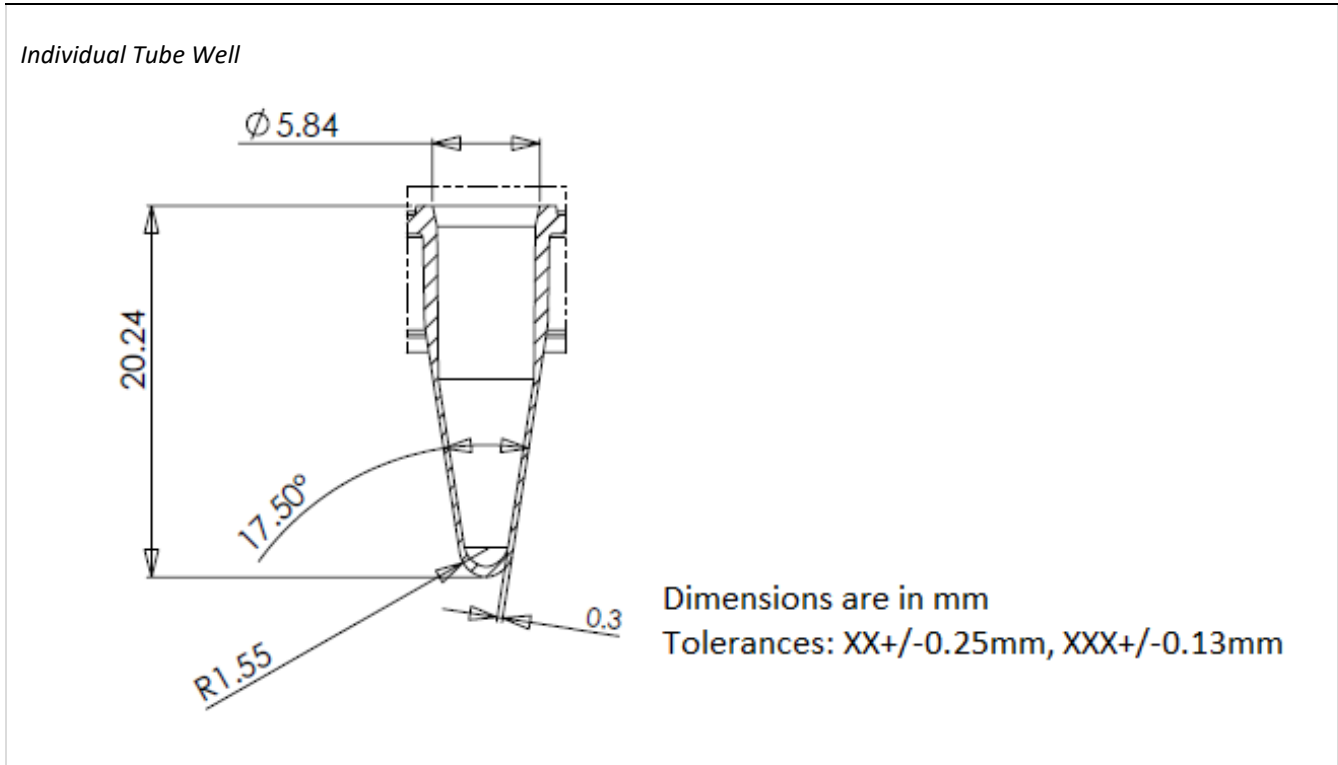
Specifications

Working volume	< 200µl (0.2ml) per well
Maximum capacity	300µl (0.3ml) per well
Wall thickness	0.30 mm

Dimensions

Top View





Storage and Usability

Storage	Protect from direct sunlight and UV light. Store dry at room temperature.
Operational temperature	-20°C to +105°C
Best by date	Five (5) years from date of manufacture
Usage	Designed for single use in PCR applications. Intended for research purposes only.

Endotoxin (Pyrogen) Testing: The product is tested to be free of Endotoxins/Pyrogens using the LAL method.

RNase/DNase Testing/Human DNA: This product is tested and is free of any detectable RNase/DNase/Human DNA contamination.

Bovine Spongiform Encephalopathy (BSE) and Transmissible Spongiform Encephalopathy (TSE): None of these products or raw materials are manufactured from or come into contact with animal material.