

Part Number:	<b>PCR96-LP-AB-C</b>
Description:	<b>0.1ml 96-well PCR Plate, Clear</b>

### Composition

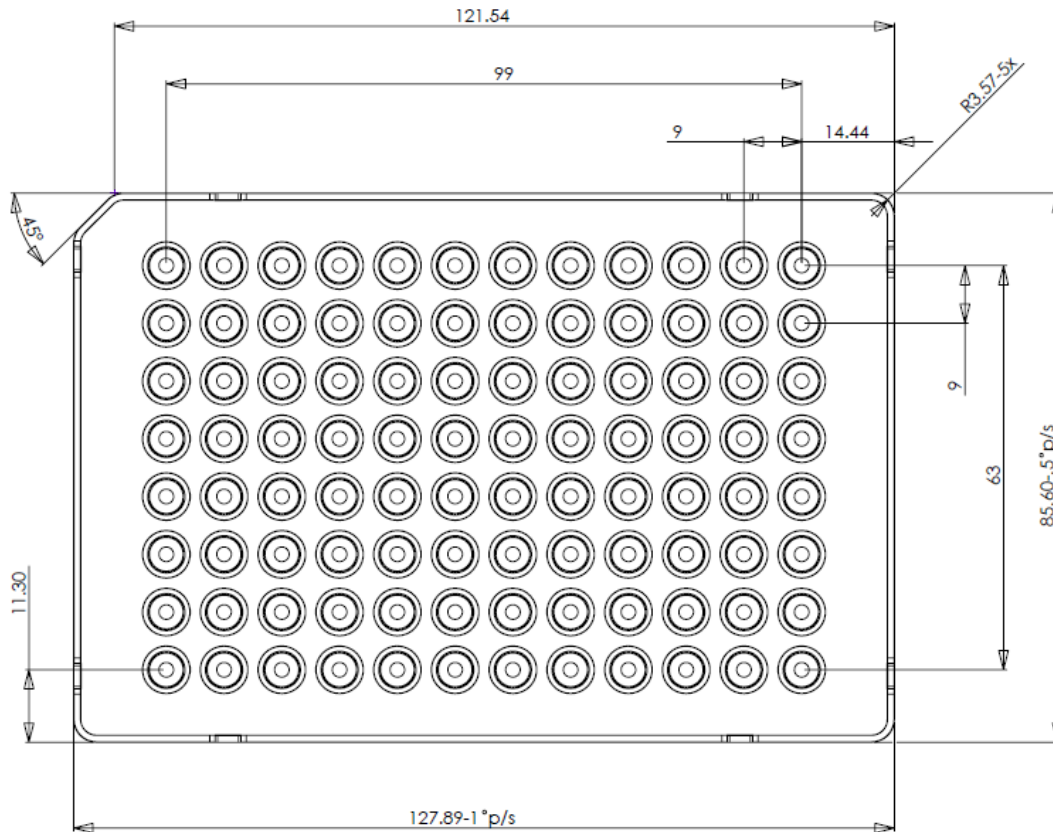
Color	Clear
Material	Medical-grade polypropylene

### Specifications

Working volume	< 100µl (0.1ml) per well
Maximum capacity	200µl (0.2ml) per well
Wall thickness	0.30 mm (+/- 0.25mm)

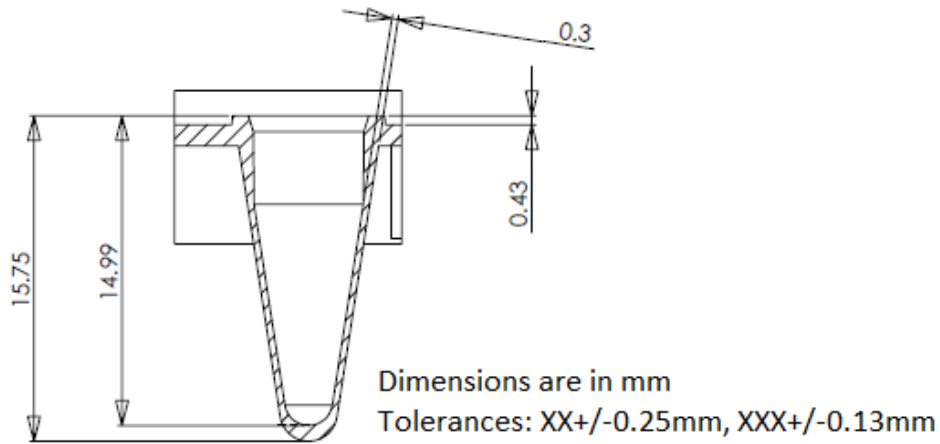
### Dimensions

Top View



Dimensions are in mm  
Tolerances: XX+/-0.25mm, XXX+/-0.13mm

*Individual Tube Well*



**Storage and Usability**

Storage	Protect from direct sunlight and UV light Store dry at room temperature.
Operational temperature	-20°C to +105°C
Best by date	Five (5) years from date of manufacture
Usage	Designed for single use in PCR applications. Intended for research purposes only.

**Endotoxin (Pyrogen) Testing:** The product is tested to be free of Endotoxins/Pyrogens using the LAL method.

**RNase/DNase Testing/Human DNA:** This product is tested and is free of any detectable RNase/DNase/Human DNA contamination.

**Bovine Spongiform Encephalopathy (BSE) and Transmissible Spongiform Encephalopathy (TSE):** None of these products or raw materials are manufactured from or come into contact with animal material.